

# The Outsiders Chapter Eight

Focus:  
Plot Summary,  
Themes, &  
Author's Craft

# Mapping the Action



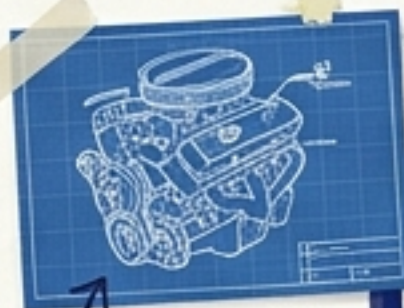
**Visiting Johnny.**  
Seeing the physical toll of the rumble. Johnny is weak and pale.

*Critical plot point: Shows the true cost of violence!*



**Visiting Dally.**  
Preparing for the fight. Dally is recovering and gathering strength.

*Building tension for the climax. Dally's resolve is key!*



*Corvette Specs*



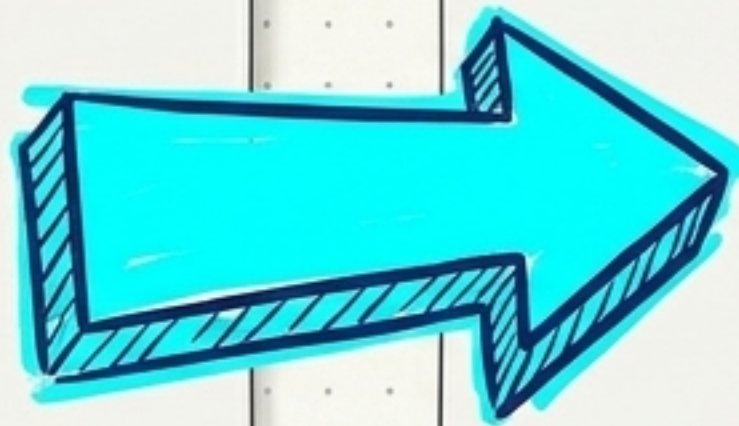
**Meeting Cherry.**  
Bridging the divide. A conversation by a Corvette on the street.

*Crucial interaction! Highlights shared humanity across social lines.*

# The Fragility of Johnny



Johnny is fading. He whispers a request for Ponyboy to finish reading *Gone with the Wind* to him.



## Author's Craft: Symbolism

The book represents Southern Gentlemen and gallantry. Even as he faces death, Johnny clings to this ideal of bravery and honor.

# Two Types of Family →

## Biological Family (Johnny's Mother)

### Actions:

She is a mean-spirited, nagging woman who blames Ponyboy and Two-Bit for Johnny's condition.

### Johnny's Reaction:

Completely refuses to see her.

Toxic & blaming – tears him down.

## Chosen Family (The Greasers)

### Actions:

Two-Bit and Ponyboy visit him, bring his book, and Two-Bit aggressively defends Johnny by insulting her.

### Johnny's Reaction:

Wants Ponyboy to stay and read to him.

Supportive & protective – builds him up.

**Author's Message:** Family isn't always blood. It is built on loyalty, care, and showing up when things get hard.

# Dall' Dally's Dangerous Request ☆



**Tim Shepard**

The Trigger: Tim Shepard (leader of another gang) visits Dally to discuss the upcoming rumble.



The Urgency: Dally feels the pressure. He asks Two-Bit for his prized possession: a black-handled switchblade.



The Reaction: Two-Bit gladly hands it over immediately. Zero questions asked.

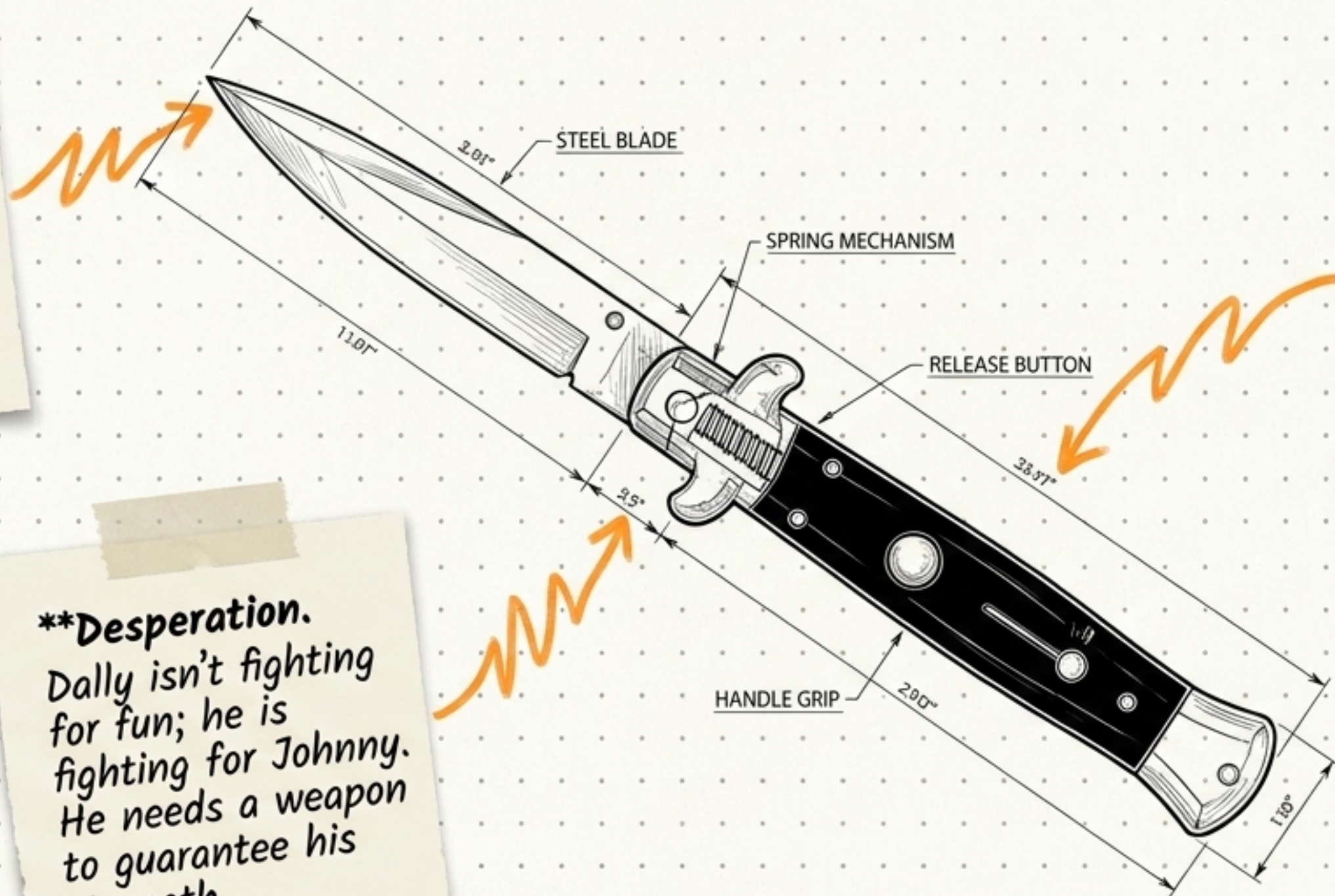
Plot Element →

**The Rule of the Greasers:  
Unquestioning loyalty.**

← Critical Moment

# The Symbolism of the Blade

**\*\*Foreshadowing.**  
Dally is recovering nicely, but arming himself means more violence is inevitably coming.



**\*\*Trust.**  
This is Two-Bit's prized possession. Giving it away without asking why shows ultimate brotherhood.

**\*\*Desperation.**  
Dally isn't fighting for fun; he is fighting for Johnny. He needs a weapon to guarantee his strength.

# The Divided Loyalties of Cherry Valance

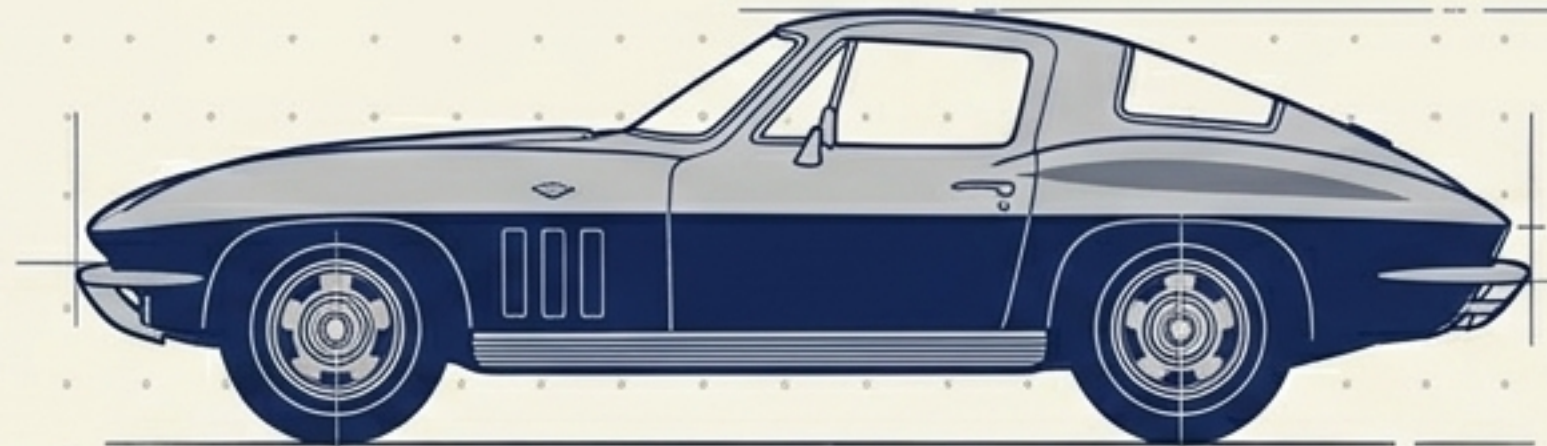
**The Socs:**  
She is a Soc. She absolutely cannot visit the boy (Johnny) who killed her boyfriend, Bob.



**The Greasers:**  
She acts as a spy. She warns Ponyboy that the Socs have agreed to fight the rumble with no weapons.

Social Pressure  
& Past

Moral Conflict  
& Future



Ponyboy briefly calls her a traitor, but quickly forgives her. Why? He realizes she is hopelessly trapped between two warring worlds.

# S.E. Hinton's Complex Characters

The Monster:  
Violent, cruel, and  
beat up Johnny.  
(Driven by alcohol  
and peer pressure).



The Boy:  
Cherry insists he had  
a sweet side and was  
genuinely loved by  
those who knew him.

S.E. Hinton uses Cherry's memories of Bob to break down stereotypes. The Socs aren't just faceless villains; they are deeply flawed, real humans.

# The Sunset Equalizer

*Remember that he can see  
it on the East Side too.*

The East Side



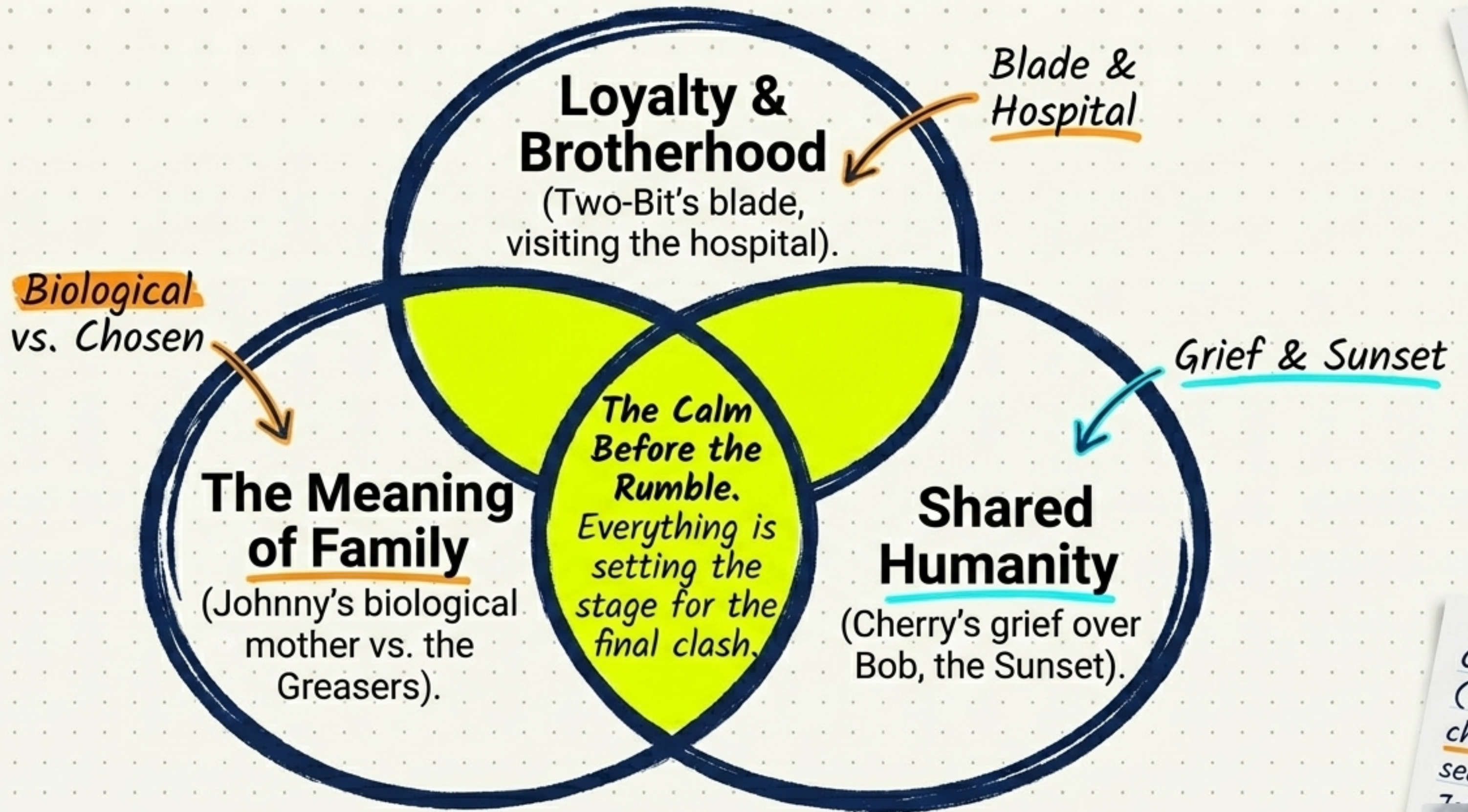
The West Side



What does this metaphor mean?

The sunset is the ultimate equalizer. No matter your bank account or what gang you claim, everyone lives under the exact same sky. It represents Shared Humanity.

# The 3 Big Themes of Chapter 8



n of the  
reaser,  
ers, and  
re  
sed  
ood.

The M  
whorv  
acto  
man  
has  
me

Cherry's  
(Two-Bit  
chorted  
sealenses.



# Exam Attack: The Sunset Question

What does Ponyboy mean when he says to Cherry that he can see the sunset on the East side too?



## Step 1: The Literal Meaning

They are looking at the exact same physical sun from different sides of town.

Same sun, different locations!



## Step 2: The Deeper Metaphor

Greasers (East) and Socs (West) are not inherently different. They experience the same beauty, fears, and human emotions.

Shared Humanity = The Core Metaphor!



## Step 3: The Plot Effect

Acknowledging this helps Ponyboy forgive Cherry and realize the gang war is ultimately pointless.

Crucial realization for Ponyboy's growth!

Breaks the cycle of conflict.

# Exam Attack: The Empathy Task

Write a letter to Johnny's mother, expressing your disgust at the way he is treated by his family.

- **Master the Tone:** Keep it firm but emotive. Use powerful vocabulary like **neglect, unconditional love, and responsibility.**

- **Use Book Evidence:** Directly mention her **mean-spirited, nagging behavior** in the hospital while her son is dying.

- **Create Contrast:** **Compare her toxic behavior** to the deep care and protection shown by Ponyboy and Two-Bit.

Example of  
\*chosen family\*

Crucial for character insight!

Mention the hospital visit!

Contrast highlights theme!

Empathy = Deep Understanding (Plot)

# Exam Attack: The Blade Question

Why do you think Dally wanted a blade? Explain.



why?

*S.E. Hinton doesn't tell us directly. We have to infer.*

- **Physical Need:** Dally is physically recovering from severe burns. He needs an **equalizer** to ensure he is strong enough for the rumble.
- **Emotional Need:** He is deeply traumatized by Johnny's critical condition. Arming himself represents his desperate desire for revenge and a need to **regain control**.

*Crucial for survival!*

*Psychological armor.*



# Chapter 8 Revision Checklist

Before moving to Chapter 9, can you:

- Explain the stark contrast between Johnny's mother and the Greasers?
- Identify what Two-Bit's switchblade and the sunset symbolize?
- Understand Cherry's internal conflict regarding Bob?
- Use terms like Symbolism, Foreshadowing, and Inference in your answers?

Crucial for survival!

Psychological armor.

You're ready for the Rumble.